

PARTS SCHEMATIC:

01...Cylinder
 02...Control Panel Shroud
 03...Gas Valve Pivot Arm
 04...Gas Valve Pin

05...Valve Spacer Block
 06...Priming Valve
 07...Bronze Head Bushing
 08...Gas Injector
 09...Cylinder Head

10...Left Handle Slider
 11...Handle Shaft
 12...Left Rubber Handle Grip
 13...Piston Valve
 14...Bottom Half of Piston

15...Top Half of Piston
 16...Valve Friction Plate
 17...Valve Friction Material
 18...Push Button Ignitor Switch
 19...Handle Base Bottom

20...Handle Base Top
 21...Top Handle
 22...Base Plate
 23...Main Spring
 24...Tank Plunger

25...Tank Gasket
 26...Tank Adapter
 27...Regulator
 28...Gas Tube Reservoir
 29...Gas Metering Valve

30...Ignitor 9 Volt
 31...Regulator Mounting Bracket
 32...Tank Mounting Bracket
 34...Ram Cap
 35...Ram Collar

36...Ram Hose
 37...Crimp Collar
 38...On/Off Ball Valve
 39...Top Cover Plate
 40...Primer Button

39...Top Cover Plate
 40...Primer Button
 41...Spark Plug Cap
 43...Piston Seal Ring Bronze
 44...Handle Mounting Bushing

45...Primer Mounting Ring
 46...Primer Ring
 47...Spark Plug Base
 48...90 Degree Ferral Fitting
 49...Vent Fitting

50...Vent Gasket
 51...Handle Spring
 52...90 1/8" Pipe Fitting
 53...Gas Valve Suppline Line
 54...Straight Ferral Fitting

56...90 Degree Steel Elbow
 57...Injector Gas Line
 58...Spark Plug Wire
 59...Braided Gas Line
 60...Right Handle Grip (switch)

61...Right Handle Slider (switch)
 62...Ferral
 63...Ferral Nut
 64...Shroud Lock Pin
 66...Pipe Nipple

67...Bradley Seal
 68...Dowel Pin Locating
 69...External Snap Ring
 70...Internal Snap Ring
 71...Bolt (primer ring)

72...Bushing (primer ring)
 73...Ball Bearing
 74...Handle Screws - counter sunk
 75...Wood Screw #6
 76...Primer Button Detent Spring

77...Detent Set Screw
 78...Head Lock Screw
 79...Handle Snap Ring
 80...Handle Dowel Pin
 81...Ignitor Washer

82...Ignitor Screw
 83...Valve Arm Screw
 84...Valve Arm Dowel
 85...Gas Valve Screw
 86...Internal Valve O'ring

87...Head O'ring
 88...Primer Button O'ring
 89...Spring Divider
 90...Piston Screw
 91...Regulator Mounting Stud

92...Regulator Mounting Nut
 94...Vent Tube
 95...Piston Ring Fiber
 96...Handle Base Assembly
 97...Ram Assembly

98...Left Handle Assembly
 99...Right Handle Assembly
 100..Rubber Switch Wire Cover
 101..Electrical Connector
 102..Tank Adapter Washer

109..Manual
 110..DVD
 111..Compression Fitting Insert
 112..1 5/8 Ram Insert
 113..Ram Insert Snap Ring

114..90 Degree Brass Elbow Long
 115..Schrader Valve
 116..1/4 Pipe Plug Set Screw
 117..100 PSI Dial Tire Guage
 118..9 Volt Battery

119..Battery Band
 120..Regulator Adjustment Cap
 121..Wood Crate
 122..Battery Bracket
 124..Handle Grip Snap Ring

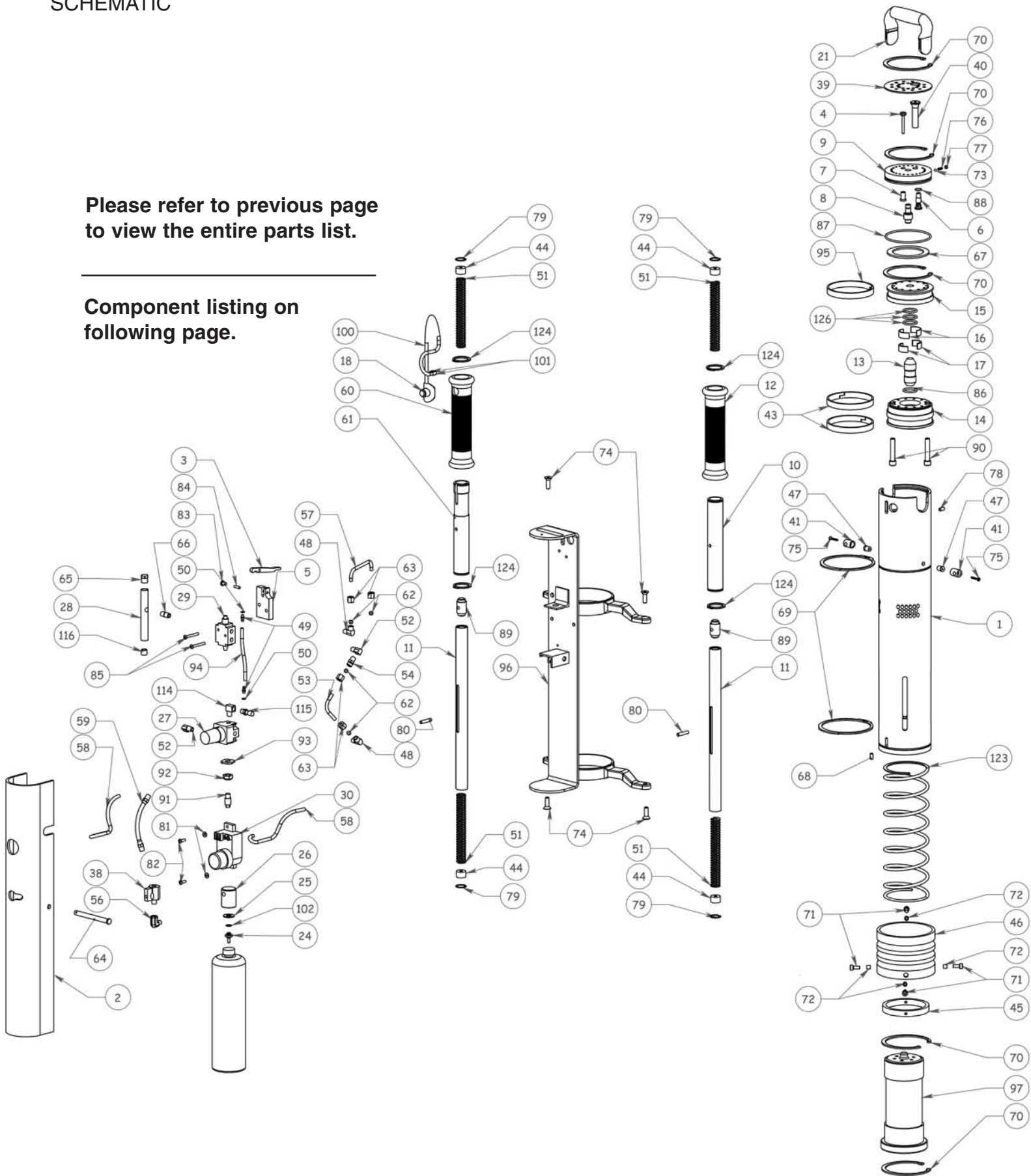
125..Regulator Set Screw
 126..Valve Tension O'ring
 130..9 Volt 4" lead connector
 131..Serial Number Plate
 200..Wooden Crate

TIPPMANN PROPANE HAMMER

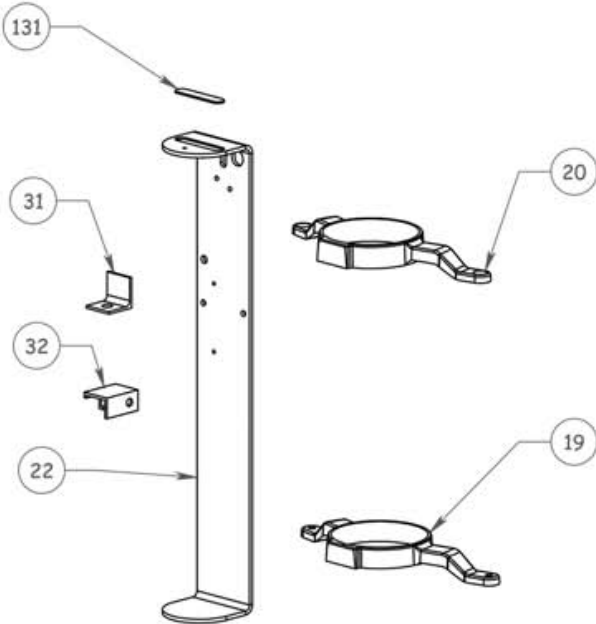
SCHEMATIC

Please refer to previous page to view the entire parts list.

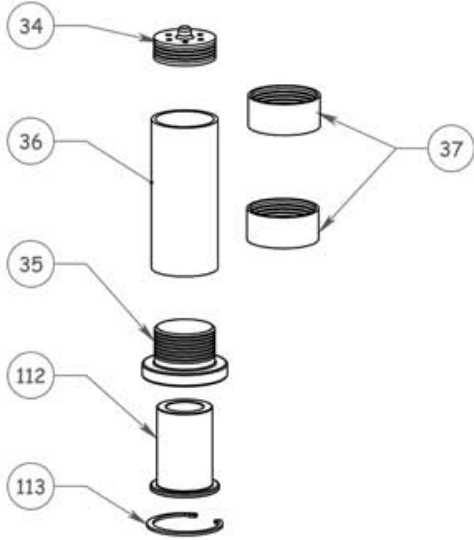
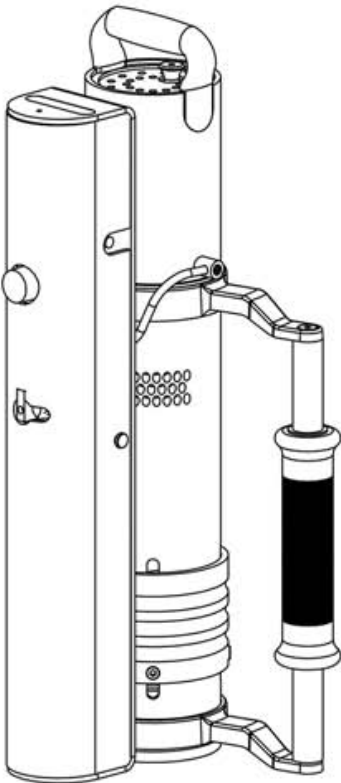
Component listing on following page.



ASSEMBLIES:



Ram Assembly 0097



Handle Base Assembly 0096